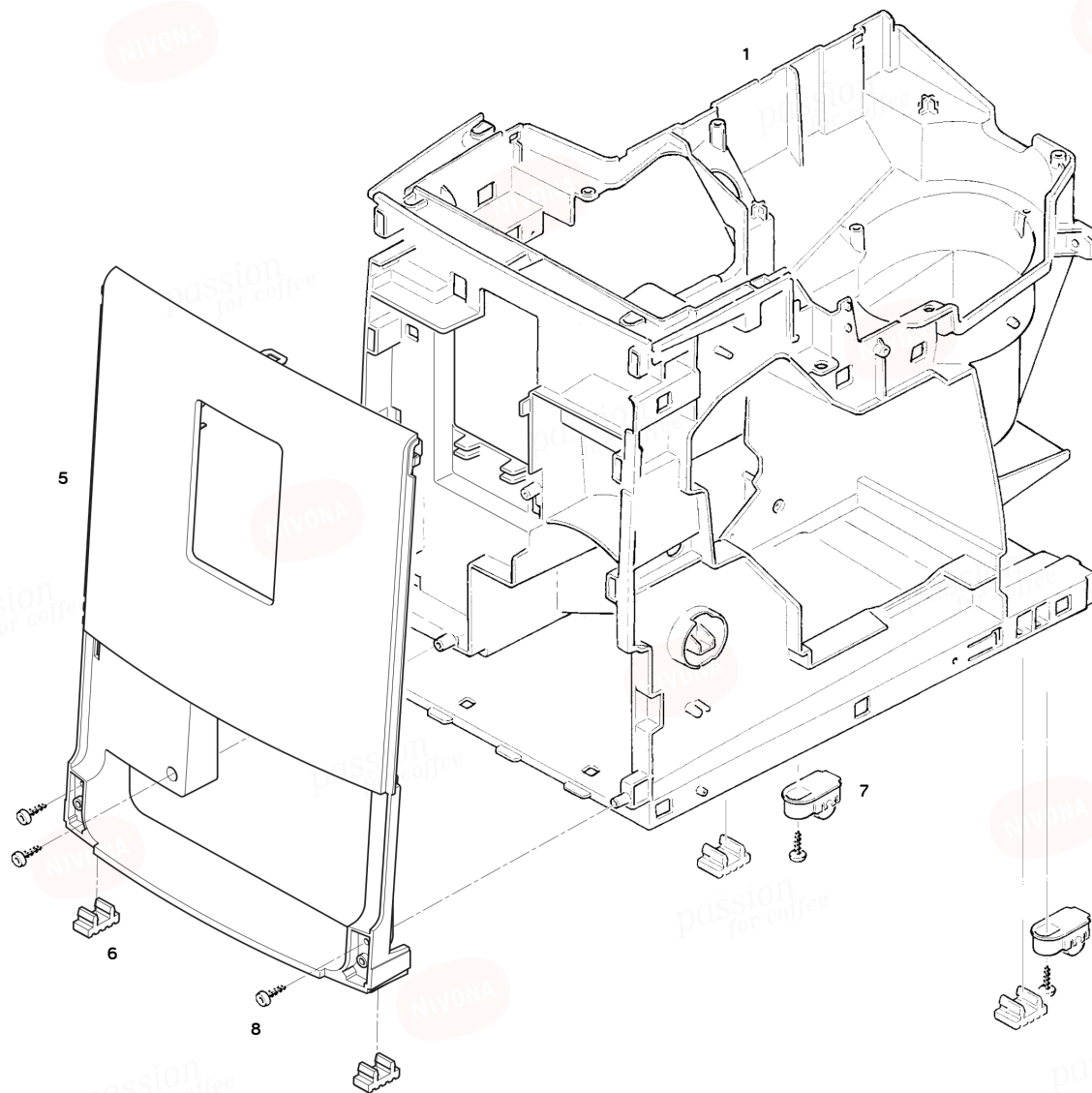
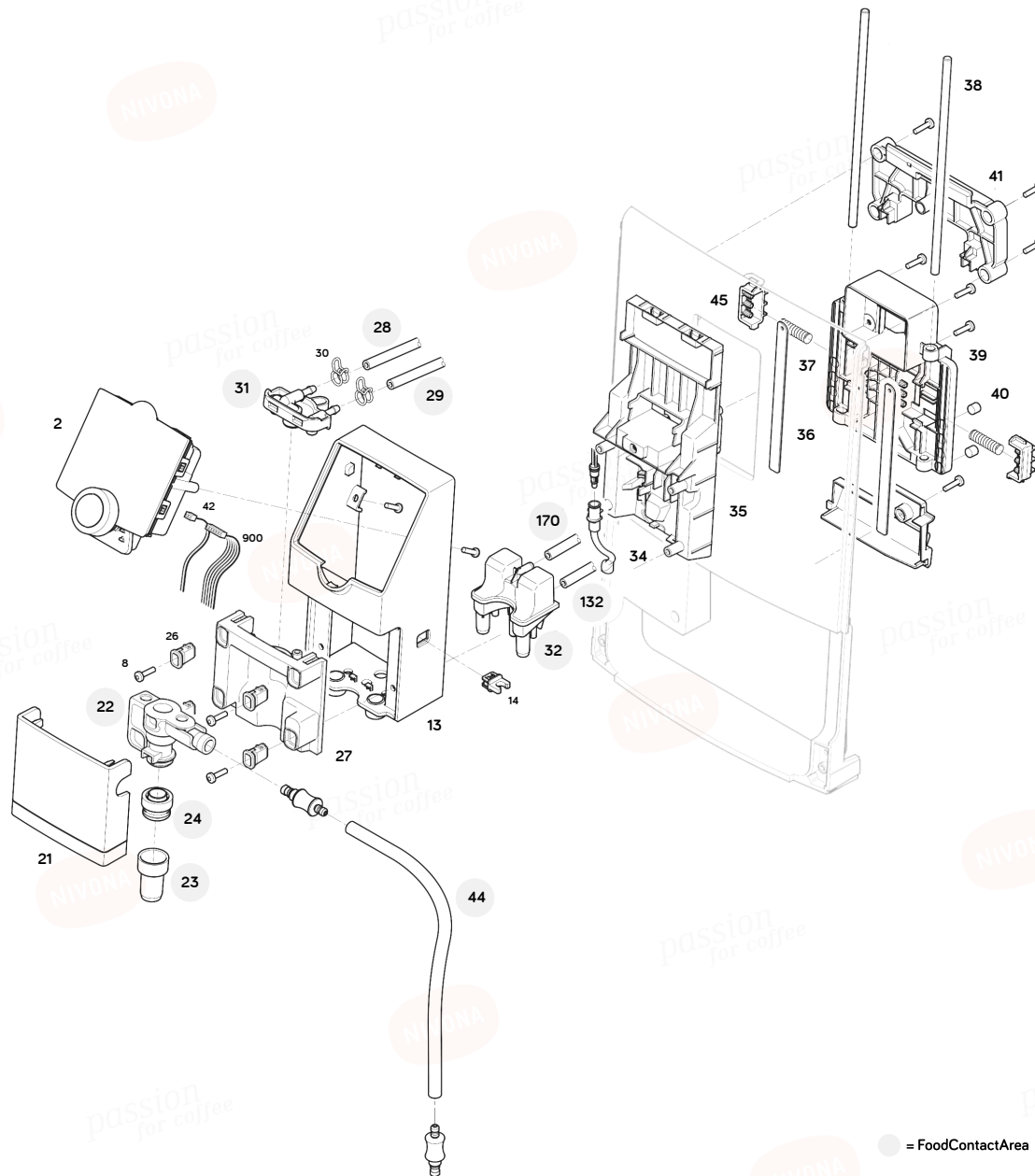


# NICR 790



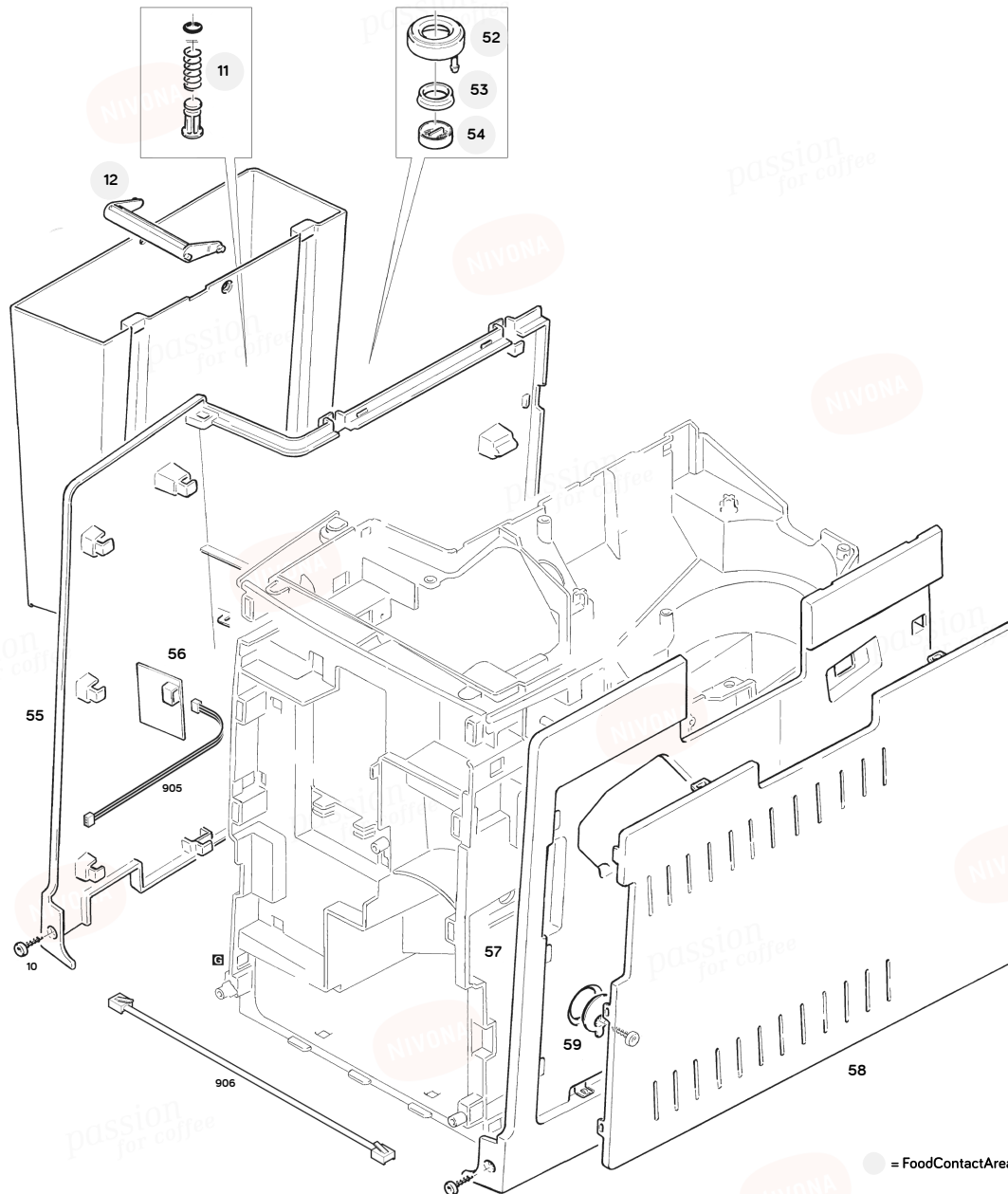
#	Discription	Part No.
1	Spare k-holder 508 cpl V4	80967
5	Front panel 253	127028
6	Rubber feet 507 V2	75559
8	Screw KST/PT 3,0x12 bl galvan	16052
9	Screw KST/PT 3,0x12 bl galvan	16052

# NICR 790



#	Discription	Part No.
2	Spare electronic 253 cpl	134587
8	Screw KST/PT 3,0x12 bl galvan	16052
13	Casing 253 outlet	133860
14	Holder 692 hose	89824
21	Spare cover 253 cpl	134586
22	Holder 709 suction nozzle V2	124940
23	Outlet 253 milk	127434
24	Adaptor 253 outlet	130707
25	NULL	121678
26	Damper 253 outlet	128303
27	Cover 253 outlet	127426
28	Hose D07,0xd3,60x240mm	130591
29	Hose D07,0xd3,60x240mm	130592
30	Hose clamp 7,0-7,5mm Gohard	46283
31	Adaptor 709 cpl	117884
32	Outlet 507 cpl V2	73712
35	Flange 253 outlet	127403
36	Metallic stripe 691 Inox V4	64715
37	Press.spring d=0,80 Do=5,80	121817
38	Guide pin 573	73530
39	Guide block 253	127416
40	Magnet D06,0x6,0mm	36880
41	Wiper 253 grounds contain.	127406
43	Fluid nipple 698 I-form	110513
44	Hose 698 cpl	119303
45	Press.piece 593 brake	80095
132	Hose D06,0xd3,00x210mm V2	129844
170	Hose D06,0xd3,00x290mm V2	129843
900	Connector 253 6x	130052

# NICR 790



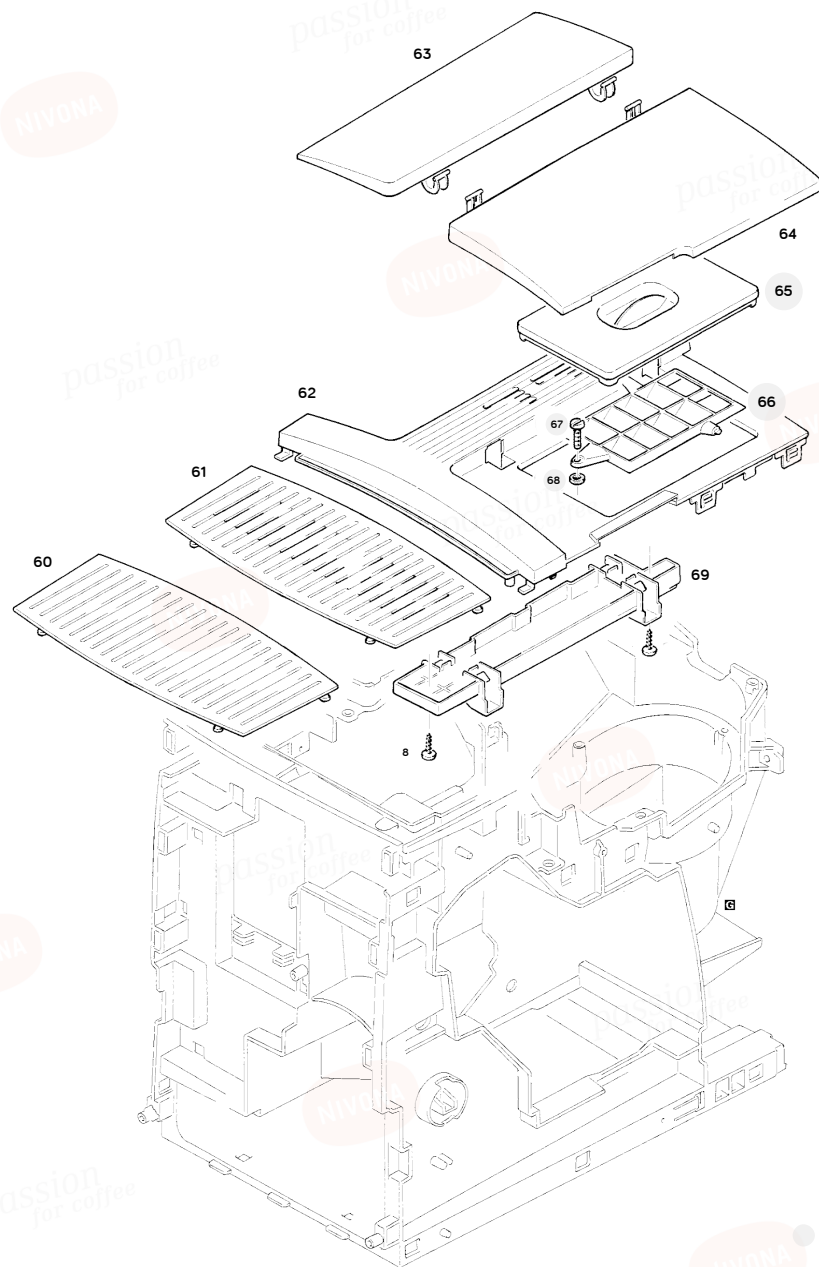
#	Discription	Part No.
10	Screw KST/PT 3,0x12 blk galvan	44505
11	Water tank 507 cpl V3	77268
12	Handle 507 water tank	73624
52	Valve hood 004	58106
53	Internal divided sleeve M2	68031
54	Sieve 510 tank base V3	79494
55	Side wall 507 left	73562
56	Sensor 585 water level	74126
57	Side wall 507 right V2	73563
58	Door 507 right V3	92326
59	Cover 570 service plug	80132
905	Connect cord 507	74133
906	Service cord 507	74135

● = FoodContactArea

**NIVONA**

September 2021 | NICR 790 | 3/11

# NICR 790



#	Discription	Part No.
8	Screw KST/PT 3,0x12 bl galvan	16052
61	Cup shelf 507	73572
62	Cover 507 cpl V2	93088
63	Cover 507 water tank	73574
64	Cover 507 bean contain V2	92490
65	Aroma preserv.cover 507 V3	73576
66	Finger protect 507	73595
67	Screw M4x12 Inox cyl head	83855
68	Safety ring 7,5x3,5x1,5mm	8291
69	Holder 507 hinge	73568
183	Cover 507 cpl V2	93087

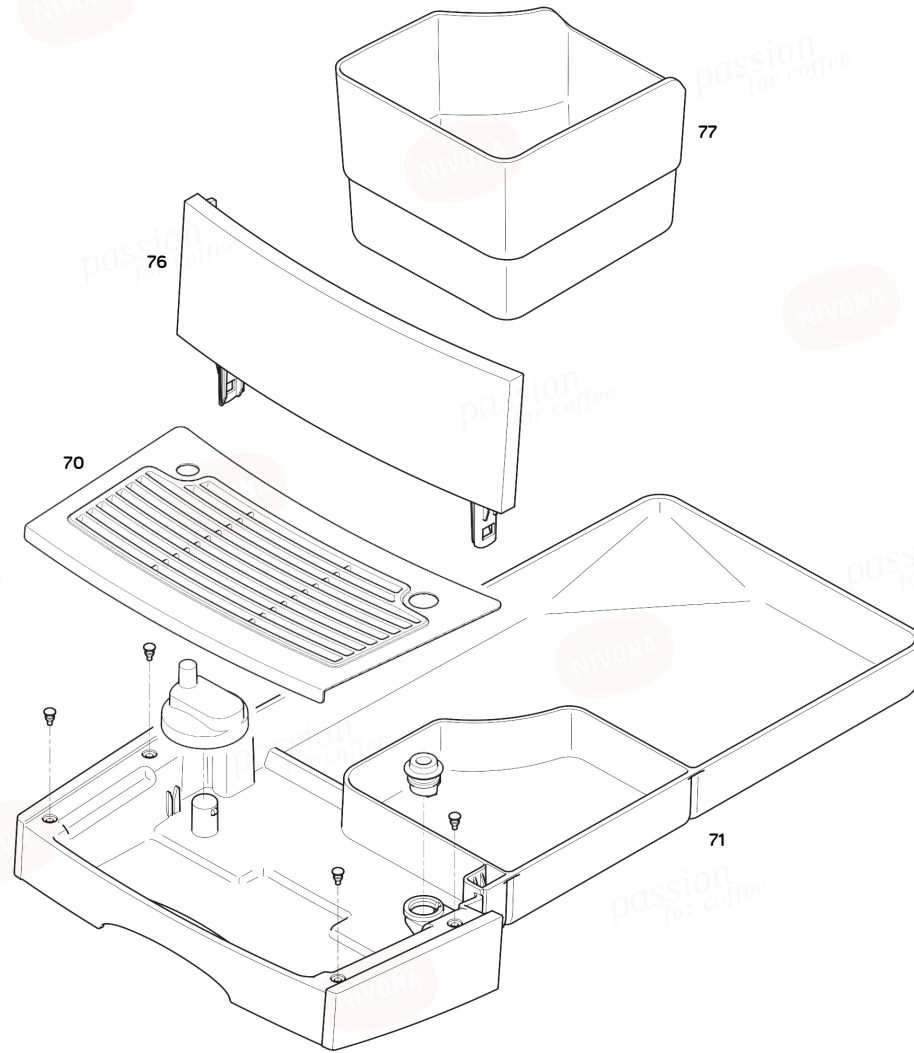
● = FoodContactArea

**NIVONA**

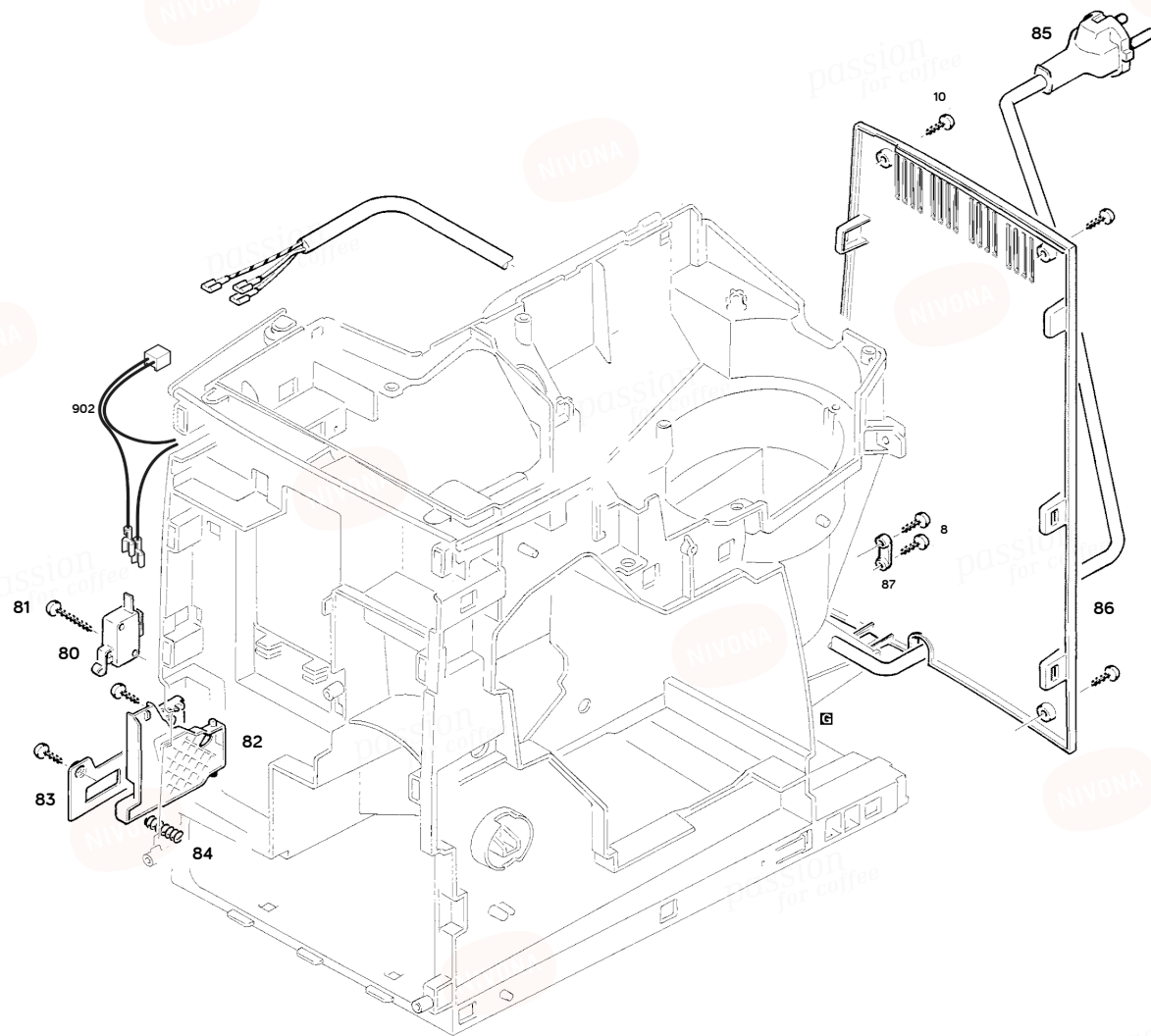
September 2021 | NICR 790 | 4/11

# NICR 790

#	Discription	Part No.
70	Spare drip grid 697 cpl	107624
72	Spare drip grid 253 cpl	130760
76	Cache 573 bac.collect	100663
77	Grounds contain.507	73586

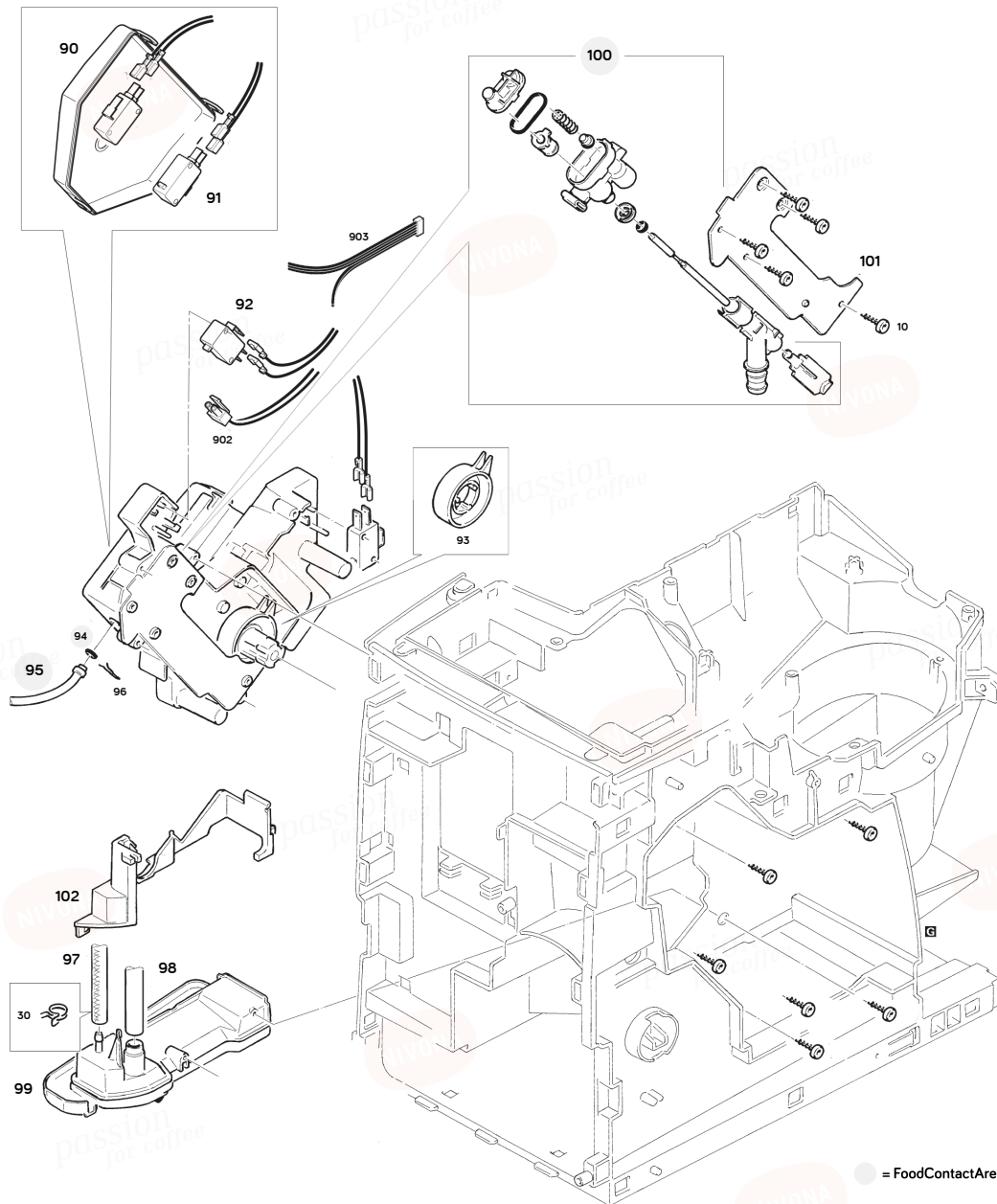


# NICR 790



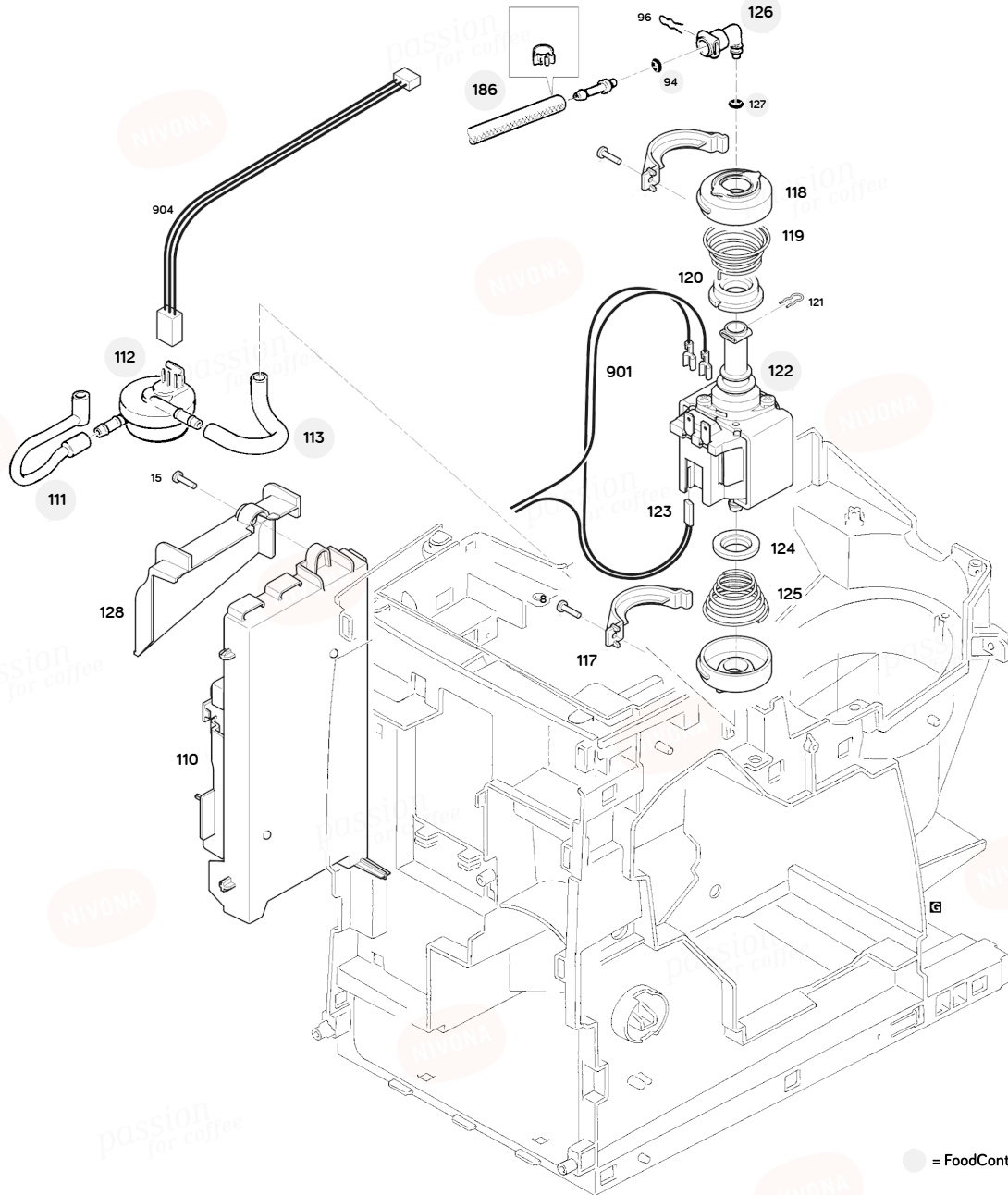
#	Discription	Part No.
8	Screw KST/PT 3,0x12 bl galvan	16052
10	Screw KST/PT 3,0x12 blk galvan	44505
80	Micro switch D44N-Q1UA	51179
81	Screw KST/PT 3,0x20 bl galvan	19504
82	Push-button 507 main switch	73617
83	Cover 507 main switch	73622
84	Press.spring d=0,50 Do=5,20	14588
85	Line cord EU CL/S L=1,54m	101375
86	Paroi arr.507 V2	92545
87	Strain relief clamp screwable	1053
902	Connector 709 4x	119743

# NICR 790



#	Discription	Part No.
10	Screw KST/PT 3,0x12 blk galvan	44505
30	Hose clamp 7,0-7,5mm Gohard	46283
90	Cover 047 driver	61505
91	Micro switch D41R-QGAC V3	48905
92	Driver A-047 cpl V3	93292
93	Driver 047	54826
94	O-Ring 003,40x1,90 V4	71881
95	Hose FEP D4,0xd2,50x210mm	40268
96	Clip D=4mm L=14mm Inox	5470
97	Hose D07,0xd3,60x280mm	130615
98	Hose silic D15,0xd11,0x047mm	75623
99	Relieve tank 507 cpl V2	73710
100	Drainage valve 047 cpl V5	68368
101	Cover 691 driver V4	64413
102	Seal 507 relieve tank	79357
902	Connector 709 4x	119743
903	Connector 691 5x	64581
921	spare insert coupling 047	122646

# NICR 790



☐ = FoodContactArea

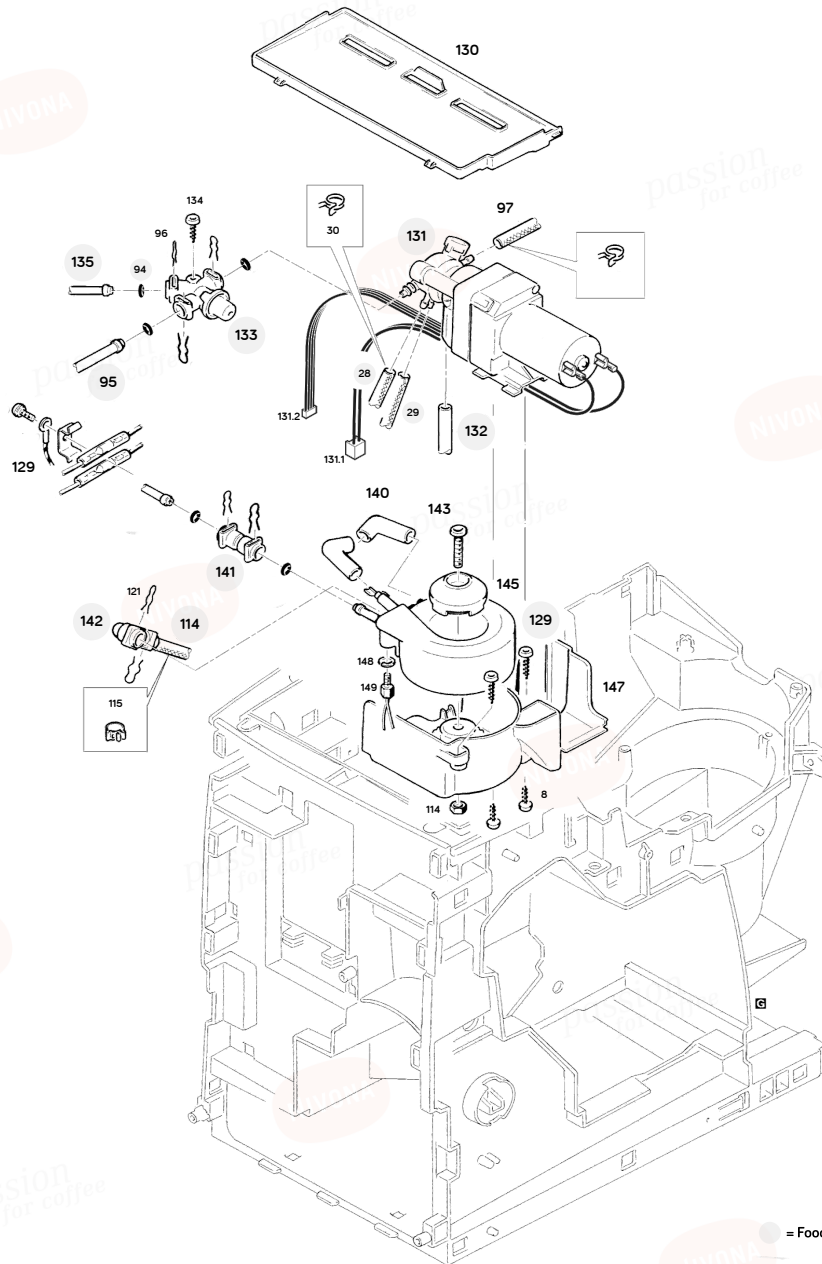
#	Discription	Part No.
8	Screw KST/PT 3,0x12 bl galvan	16052
94	O-Ring 003,40x1,90 V4	71881
96	Clip D=4mm L=14mm Inox	5470
110	Electronic 253 cpl	128466
111	Molded tube 507 silic	76161
112	Flow meter FHKSC 12 90°-OT13	87437
113	Hose silic D09,0xd5,00x090mm	9212
114	Hose silic/reinforced di 4,2	38630
115	Hose clamp 8,0- 9,0mm V2	69541
116	Fluid connect I shape	86694
117	Holder 507 pump	73612
118	Damper 507 pump V3	96344
119	Press.spring 507 pump V2	103745
120	Pump holder 507	73614
121	Clip D=5mm	37384
122	Spare pump SPX.H100 EU	100182
123	Thermost TB02-B-B8D-130	105136
124	Pump holder 043	81597
125	Press.spring con.1,6mm	103749
126	Fluid connect elbow 90°	70061
127	O-Ring 003,40x1,90 EPDM V3	61701
128	Cover 253 electronic box	129514
129	Thermobl 253 230V/1400W	132756
904	Connector 691 3x	64591
904	Connector 697 4x	107276

## NIVONA

September 2021 | NICR 790 | 8/11



# NICR 790



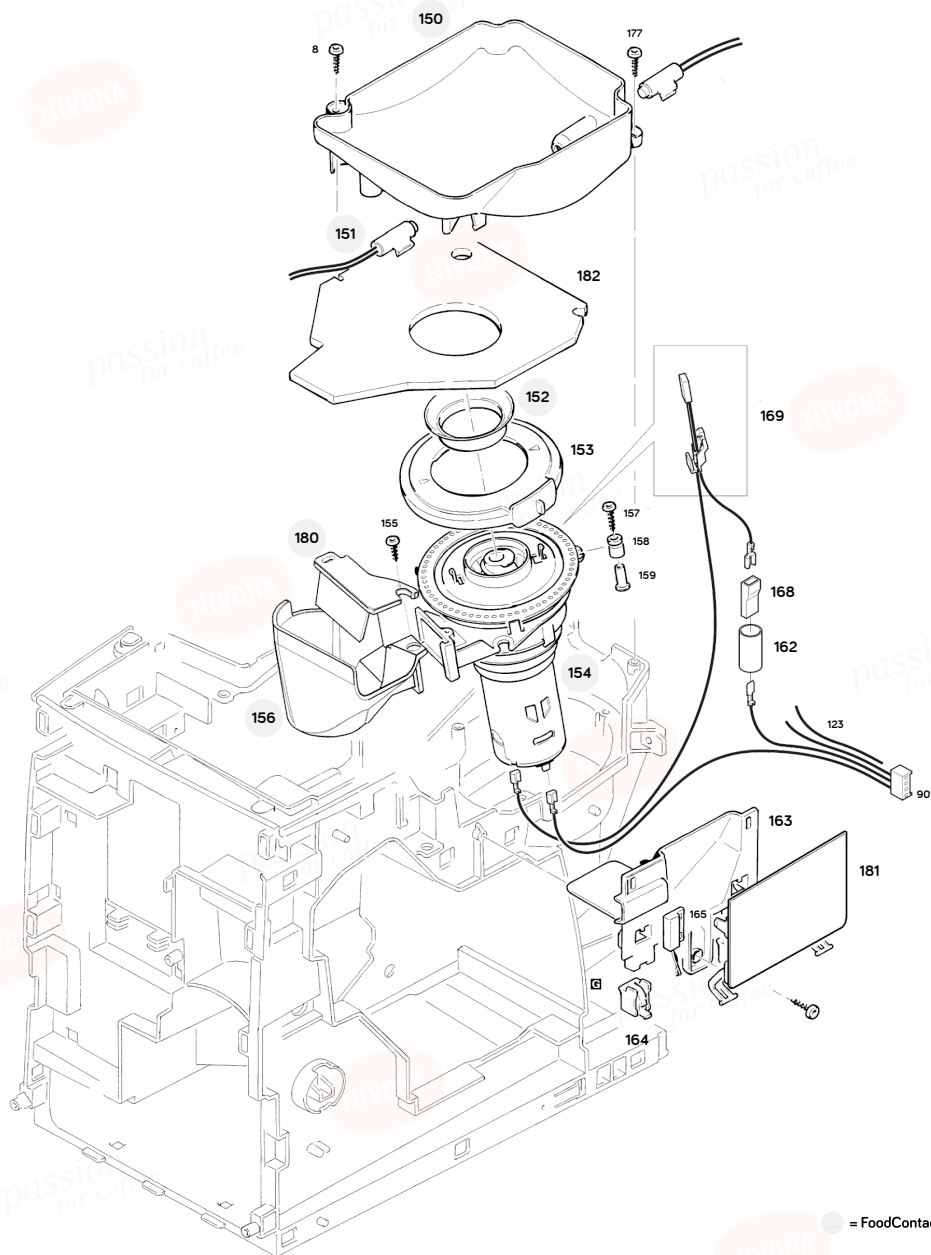
#	Discription	Part No.
8	Screw KST/PT 3,0x12 bl galvan	16052
28	Hose D07,0xd3,60x240mm	130591
29	Hose D07,0xd3,60x240mm	130592
30	Hose clamp 7,0-7,5mm Gohard	46283
94	O-Ring 003,40x1,90 V4	71881
95	Hose FEP D4,0xd2,50x210mm	40268
96	Clip D=4mm L=14mm Inox	5470
97	Hose D07,0xd3,60x280mm	130615
114	Hose silic/reinforced di 4,2	38630
115	Hose clamp 8,0- 9,0mm V2	69541
121	Clip D=5mm	37384
129	Thermobl 253 230V/1400W	132756
130	Cover 507 thermobl	73605
131	Ceramic valve 253 cpl	130890
132	Hose D06,0xd3,00x210mm V2	129844
133	Outlet valve cpl Y-shape	72201
134	Screw KST/PT 3,5x12 bl galvan	22505
135	Hose FEP D4,0xd2,50x100mm	16082
140	Insulleeve Elbow black	43202
141	Fluid connect I shape V2	61799
142	Fluid connect elbow 90°	60761
143	Screw M6x20 bl galvan rd head	38620
144	Locknut M6 6-face	24463
145	Holder 507 thermobl.	74451
147	Holder 507 thermobl	73604
148	Spring ring M5	5245
149	Temperature gauge 260 cpl	71630

■ = FoodContactArea

**NIVONA**

September 2021 | NICR 790 | 9/11

# NICR 790



#	Discription	Part No.
8	Screw KST/PT 3,0x12 bl galvan	16052
150	Bean contain 507	73594
152	Spare sleeve 778 cpl	13892
153	Lever 691 grinding grade V3	64439
154	Grinder unit 043 G43 MR1	101189
155	Screw KST/PT 3,0x 8 Inox	38391
156	Powder funnel 507 grinder V2	92546
157	Screw KST/PT 3,0x20 Inox	19244
158	Rubber feet 778 black	13904
159	Tubul.rivet 4,0x0,40x10,5	13903
160	Current/temperature limiter	43739
161	Holder 005 temperature gauge	43700
162	Hose silic D10,0xd7,00x035mm	56923
163	Powder funnel 507	73601
164	Hinge 507 powder funnel	74311
165	Reed sensor MS-324/267K	75557
168	Insul.sleeve ITV 4,8b	44248
169	Sparekit 507 cpl. Temperature gauge	81155
177	Screw KST/PT 3,0x12 Inox	62325
180	NULL	118334
181	Cover 507 cpl V2	93087
182	Insulation 508 bean contain	78486

● = FoodContactArea

**NIVONA**

September 2021 | NICR 790 | 10/11

# NICR 790

#	Discription	Part No.
10	Screw KST/PT 3,0x12 blk galvan	44505
170	Hose D06,0xd3,00x290mm V2	129843
171	Fluid connect 507 L shape	74313
172	Clip 046 outlet	29708
173	Support 507 extract unit	74314
174	Extract unit A-047 base V8	61123
175	O-Ring 005,70x1,90 silic/K-2	53961
176	O-Ring 005,00x1,50 silic/2-K	38141

